



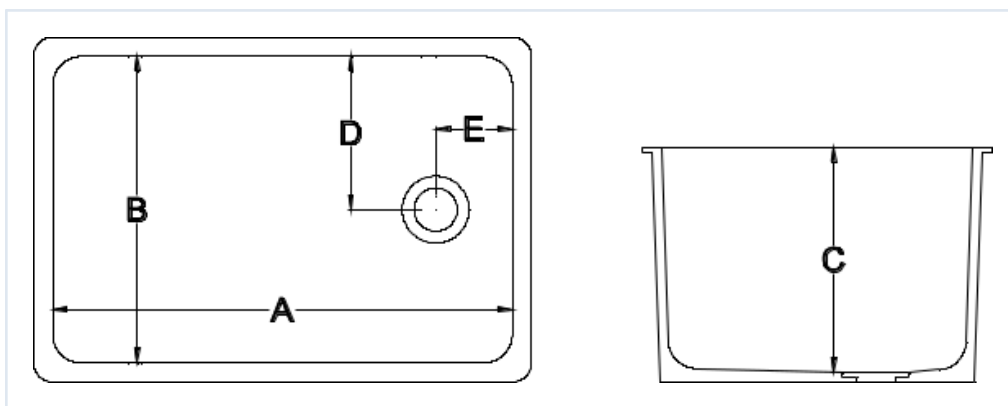
SIZES & CONFIGURATIONS

Epoxy Resin Sink List

All dimensions in inches; weights in pounds. Sinks are molded one-piece with a 1/2" minimum wall and a standard 3-1/2" outlet. Additional sinks are added regularly — contact us for current options.

Note Dimension key: **A** outside length · **B** outside width · **C** depth · **D & E** drain location offsets · **Drain** position. ADA models meet ADA Standards for Accessible Design.

Lipped / Drop-In Sinks



Dimension key: A outside length · B outside width · C depth · D & E drain offsets

Model	Wt.	A	B	C	D	E	Drain
AESL-01C	12	9.00	6.00	6.00	3.00	4.50	Center
AESL-5	22	14.00	10.00	6.00	5.00	4.00	End
AESL-5C	22	14.00	10.00	6.00	5.00	7.00	Center
AESL-6C	32	12.00	12.00	12.00	6.00	6.00	Center
AESL-10C	22	16.00	8.00	7.00	4.00	8.00	Center
AESL-10E	22	16.00	8.00	7.00	4.00	4.00	End
AESL-13C	15	12.00	8.00	6.00	4.00	6.00	Center
AESL-15	30	16.00	12.00	8.00	6.00	4.00	End
AESL-15C	30	16.00	12.00	8.00	6.00	8.00	Center
AESL-15RC	30	16.00	12.00	8.00	4.00	4.00	Corner
AESL-20	39	16.00	16.00	7.50	4.00	4.00	Corner
AESL-22C	19	18.00	6.50	6.00	3.25	9.00	Center
AESL-23C	60	16.00	16.00	11.625	8.00	8.00	Center
AESL-24C	35	18.00	14.00	10.50	7.00	9.00	Center
AESL-25	39	18.00	15.00	8.00	4.00	4.00	Corner
AESL-30	53	18.00	15.00	11.00	4.00	4.00	Corner



Model	Wt.	A	B	C	D	E	Drain
AESL-30C	53	18.00	15.00	11.00	7.50	9.00	Center
AESL-30D *	130	37.625	15.00	11.00	4.00	4.00	Corner
AESL-33E	64	21.00	17.00	10.00	8.50	4.00	End
AESL-45	70	21.375	15.375	10.875	4.00	4.00	Corner
AESL-50C	53	24.00	16.00	8.00	8.00	12.00	Center
AESL-51C	75	24.00	16.00	11.75	8.00	12.00	Center
AESL-52	70	24.00	18.00	11.00	4.00	4.00	Corner
AESL-54	53	25.00	15.00	8.00	4.00	4.00	Corner
AESL-55	61	25.00	15.00	10.00	4.00	4.00	Corner
AESL-57	80	25.00	15.00	13.63	4.00	4.00	Corner
AESL-58	85	25.00	15.00	17.63	4.00	4.00	Corner
AESL-59	68	28.00	15.00	12.00	4.00	4.00	Corner
AESL-61	105	30.00	16.00	17.75	4.50	4.50	Corner
AESL-65C	110	35.50	19.50	9.75	9.75	17.75	Center
AESL-68E	94	30.00	16.00	9.875	8.00	4.50	End
AESL-74C	140	30.00	17.875	17.75	8.937	15.00	Center
AESL-ADA-5	18	14.00	10.00	4.875	4.00	4.00	Corner
AESL-ADA-7	20	14.00	14.00	4.875	4.00	4.00	Corner
AESL-ADA-15	24	16.00	12.00	4.875	4.00	4.00	Corner
AESL-ADA-25	35	18.00	15.00	4.875	4.00	4.00	Corner
AESL-ADA-55	48	25.00	15.00	4.875	4.00	4.00	Corner
AESL-ADA-26	43	18.00	15.00	11/4.875	4.50	4.50	Corner
AESL-ADA-56	53	25.00	15.00	11/4.875	4.50	4.50	Corner
AESL-ADA-77	93	39.00	15.00	5.00	4.00	4.00	Corner

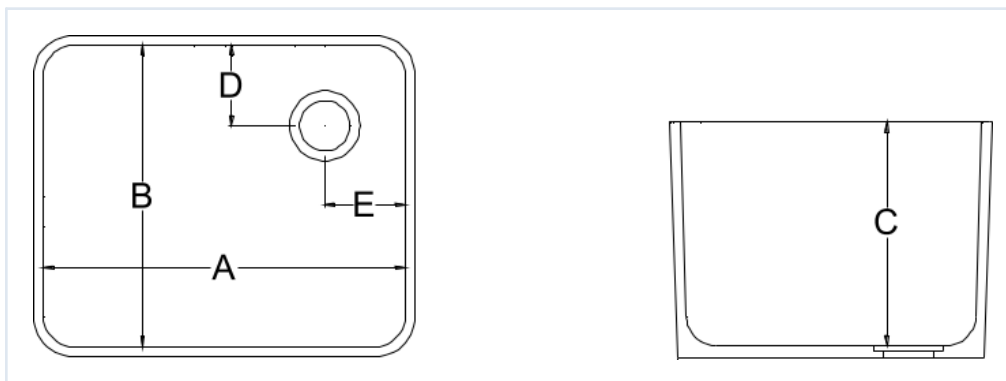
Specialty Sinks

Model	Wt.	A	B	C	D	E	Drain
AESL-R12	27	12.00 dia.		7.875			Center
AESL-T48	42	45.562	6.375	3.500	3.188	27.125	Off-center

* AESL-30D is a double-bowl sink with two 18" x 15" I.D. bowls.



Undermount Sinks



Dimension key: A outside length · B outside width · C depth · D & E drain offsets

Model	Wt.	A	B	C	D	E	Drain
AESU-01C	11	9.00	6.00	6.00	3.00	4.50	Center
AESU-5	22	14.00	10.00	6.00	5.00	4.00	End
AESU-5C	22	14.00	10.00	6.00	5.00	7.00	Center
AESU-6C	32	12.00	12.00	12.00	6.00	6.00	Center
AESU-10C	21	16.00	8.00	7.00	4.00	8.00	Center
AESU-10E	21	16.00	8.00	7.00	4.00	4.00	End
AESU-13C	15	12.00	8.00	6.00	4.00	6.00	Center
AESU-15	30	16.00	12.00	8.00	6.00	4.00	End
AESU-15C	30	16.00	12.00	8.00	6.00	8.00	Center
AESU-15RC	30	16.00	12.00	8.00	4.00	4.00	Corner
AESU-20	38	16.00	16.00	7.50	4.00	4.00	Corner
AESU-22C	18	18.00	6.50	6.00	3.25	9.00	Center
AESU-23C	58	16.00	16.00	11.625	8.00	8.00	Center
AESU-24C	35	18.00	14.00	10.50	7.00	9.00	Center
AESU-25	39	18.00	15.00	8.00	4.00	4.00	Corner
AESU-30	53	18.00	15.00	11.00	4.00	4.00	Corner
AESU-30C	53	18.00	15.00	11.00	7.50	9.00	Center
AESU-33E	64	21.00	17.00	10.00	8.50	4.00	End
AESU-35E	70	21.00	18.00	10.00	10.50	4.00	End
AESU-40	50	21.375	15.50	7.00	4.00	4.00	Corner
AESU-45	70	21.375	15.375	10.875	4.00	4.00	Corner
AESU-49	61	22.000	14.500	10.625	4.00	4.00	Corner
AESU-50C	53	24.00	16.00	8.000	8.00	12.00	Center



Model	Wt.	A	B	C	D	E	Drain
AESU-51C	75	24.00	16.00	11.75	8.00	12.00	Center
AESU-52	70	24.00	18.00	11.00	4.00	4.00	Corner
AESU-54	51	25.00	15.00	8.00	4.00	4.00	Corner
AESU-55	61	25.00	15.00	10.00	4.00	4.00	Corner
AESU-57	80	25.00	15.00	13.625	4.00	4.00	Corner
AESU-58	82	25.00	15.00	17.625	4.00	4.00	Corner
AESU-59	65	28.00	15.00	12.00	4.00	4.00	Corner
AESU-59E	65	28.00	15.00	12.00	7.50	11.50	Center
AESU-61	105	30.00	16.00	17.75	4.50	4.50	Corner
AESU-64C	130	31.25	21.25	12.00	10.625	15.625	Center
AESU-65C	105	35.50	19.50	9.75	9.75	17.75	Center
AESU-67C	150	36.00	19.75	16.00	9.875	18.00	Center
AESU-68E	94	30.00	16.00	9.875	8.00	4.50	End
AESU-71C	130	43.00	15.00	11.00	7.50	21.50	Center
AESU-73	170	38.00	20.75	19.00	5.25	5.25	Corner
AESU-74C	140	30.00	17.88	17.75	8.937	15.00	Center
AESU-75C	140	42.00	20.00	10.00	10.00	21.00	Center

End Sink with Splash

Model	Wt.	A	B	C	D	E	Drain
AESE-47	95	22.00	13.625	12.50	9.50	11.00	Front-center